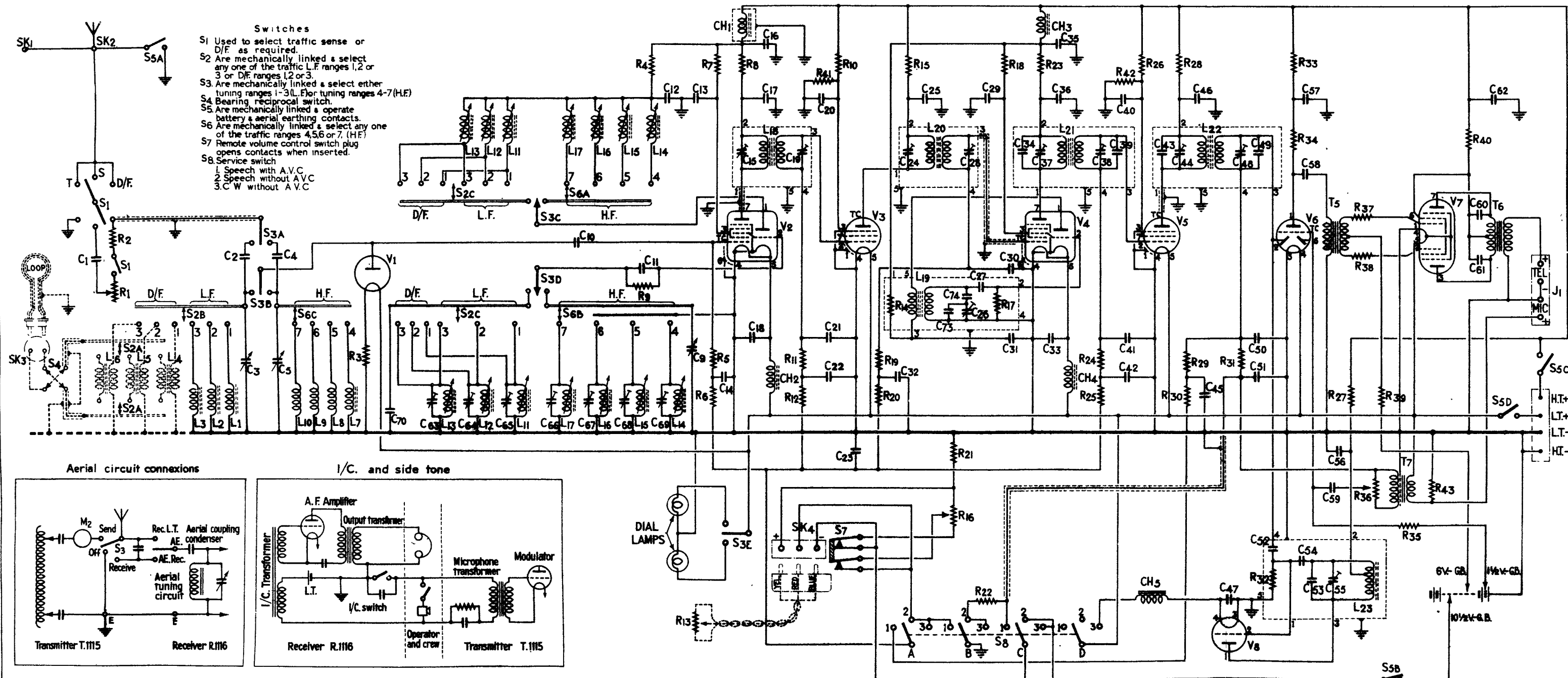


C1	C2	C3	C4	C5	C6	C7	C8	C9	C10	C11	C12	C13	C14	C15	C16	C17	C18	C19	C20	C21	C22	C23	C24	C25	C26	C27	C28	C29	C30	C31	C32	C33	C34	C35	C36	C37	C38	C39	C40	C41	C42	C43	C44	C45	C46	C47	C48	C49	C50	C51	C52	C53	C54	C55	C56	C57	C58	C59	C60	C61	C62																																																																										
R1	R2	R3	R4	R5	R6	R7	R8	R9	R10	R11	R12	R13	R14	R15	R16	R17	R18	R19	R20	R21	R22	R23	R24	R25	R26	R27	R28	R29	R30	R31	R32	R33	R34	R35	R36	R37	R38	R39	R40	R41	R42	R43	R44	R45	R46	R47	R48	R49	R50	R51	R52	R53	R54	R55	R56	R57	R58	R59	R60	R61	R62																																																																										
SK1	SK2	SK3	S1	S2A	S2B	S2C	S3A	S3B	S3C	S4	S5A	S5B	S5C	S5D	S5E	S6A	S6B	S6C	S6D	S6E	S6F	S6G	S6H	S6I	S6J	S6K	S6L	S6M	S6N	S6O	S6P	S6Q	S6R	S6S	S6T	S6U	S6V	S6W	S6X	S6Y	S6Z	S7	S8	S9	S10	S11	S12	S13	S14	S15	S16	S17	S18	S19	S20	S21	S22	S23	S24	S25	S26	S27	S28	S29	S30	S31	S32	S33	S34	S35	S36	S37	S38	S39	S40	S41	S42	S43	S44	S45	S46	S47	S48	S49	S50	S51	S52	S53	S54	S55	S56	S57	S58	S59	S60	S61	S62	S63	S64	S65	S66	S67	S68	S69	S70	S71	S72	S73	S74	S75	S76	S77	S78	S79	S80	S81	S82	S83	S84	S85	S86	S87	S88	S89	S90	S91	S92	S93	S94	S95	S96	S97	S98	S99	S100



Switches

- S1 Used to select traffic sense or D/F as required.
- S2 Are mechanically linked & select any one of the traffic L.F. ranges 1, 2 or 3 or D/F ranges 1, 2 or 3.
- S3 Are mechanically linked & select either tuning ranges 1-3 (L.F.) or tuning ranges 4-7 (H.F.)
- S4 Bearing reciprocal switch.
- S5 Are mechanically linked & operate battery & aerial earthing contacts.
- S6 Are mechanically linked & select any one of the traffic ranges 4, 5, 6 or 7. (H.F.)
- S7 Remote volume control switch plug opens contacts when inserted.
- S8 Service switch
 - 1. Speech with A.V.C.
 - 2. Speech without A.V.C.
 - 3. C.W. without A.V.C.

CONDENSERS	
C1	25 μF
C2	70 μF
C3	500 μF VAR.
C4	50 μF
C5	500 μF VAR.
C9	VAR
C10	100 μF
C11	100 μF
C12	0.1 μF
C13	0.1 μF
C14	0.01 μF
C15	100 μF VAR.
C16	0.1 μF
C17	0.1 μF
C18	0.01 μF
C19	100 μF VAR.
C20	0.1 μF
C21	0.01 μF
C22	0.1 μF
C23	0.1 μF
C24	100 μF VAR.
C25	0.1 μF
C26	100 μF VAR.
C27	100 μF VAR.
C28	100 μF VAR.
C29	0.1 μF
C30	0.01 μF
C31	0.1 μF
C32	0.01 μF
C33	0.01 μF
C34	200 μF
C35	0.1 μF
C36	0.1 μF
C37	100 μF VAR.
C38	100 μF VAR.
C39	200 μF
C40	0.1 μF
C41	0.01 μF
C42	0.1 μF
C43	200 μF
C44	100 μF VAR.
C45	0.01 μF
C46	0.1 μF
C47	0.5 μF
C48	100 μF VAR.
C49	200 μF
C50	300 μF
C51	500 μF
C52	1.5 μF
C53	100 μF
C54	100 μF
C55	100 μF VAR.
C56	0.1 μF
C57	0.5 μF
C58	0.1 μF
C59	0.01 μF
C60	0.001 μF
C61	0.001 μF
C62	2.0 μF
C63	15-45 μF
C64	15-45 μF
C65	15-45 μF
C66	15-45 μF
C67	15-45 μF
C68	15-45 μF
C69	15-45 μF
C70	150 μF
C73	50 μF
C74	50 μF

RESISTANCES	
R1	0.25 MΩ
R2	30,000 Ω
R3	0.75 Ω
R4	30,000 Ω
R5	1.0 MΩ
R6	0.1 MΩ
R7	60,000 Ω
R8	1,000 Ω
R9	30,000 Ω
R10	0.1 MΩ
R11	0.25 MΩ
R12	0.1 MΩ
R13	50,000 Ω
R14	0.2 MΩ
R15	1,000 Ω
R16	50,000 Ω
R17	50,000 Ω
R18	0.15 MΩ
R19	0.25 MΩ
R20	0.1 MΩ
R21	0.1 MΩ
R22	50,000 Ω
R23	1,000 Ω
R24	0.25 MΩ
R25	0.1 MΩ
R26	0.1 MΩ
R27	50,000 Ω
R28	100 Ω
R29	1.0 MΩ
R30	0.1 MΩ
R31	0.25 MΩ
R32	0.1 MΩ
R33	1,000 Ω
R34	0.1 MΩ
R35	0.1 MΩ
R36	0.1 MΩ
R37	0.1 MΩ
R38	0.1 MΩ
R39	0.1 MΩ
R40	0.1 MΩ
R41	0.2 MΩ
R42	0.2 MΩ
R43	100 Ω

FIG. 2

R.1116. THEORETICAL CIRCUIT DIAGRAM

FIG. 2